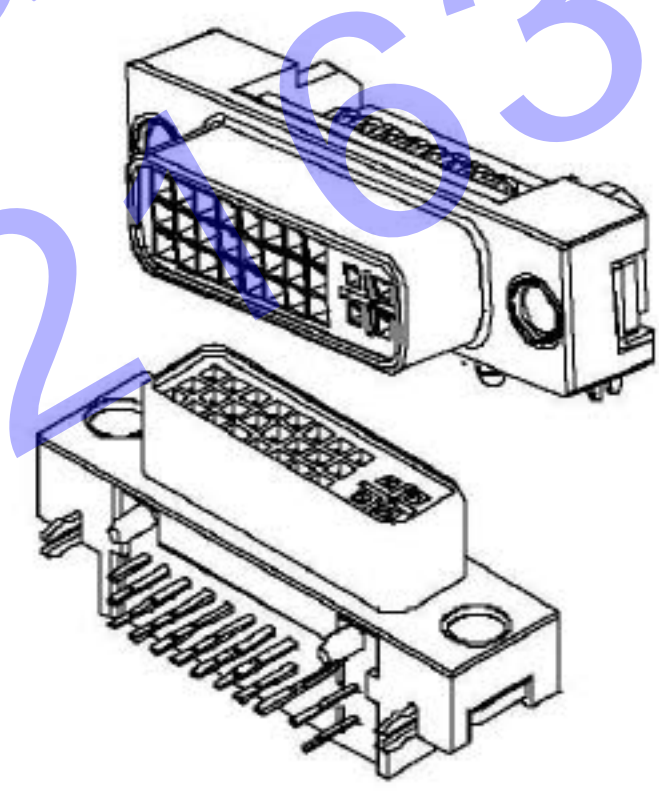
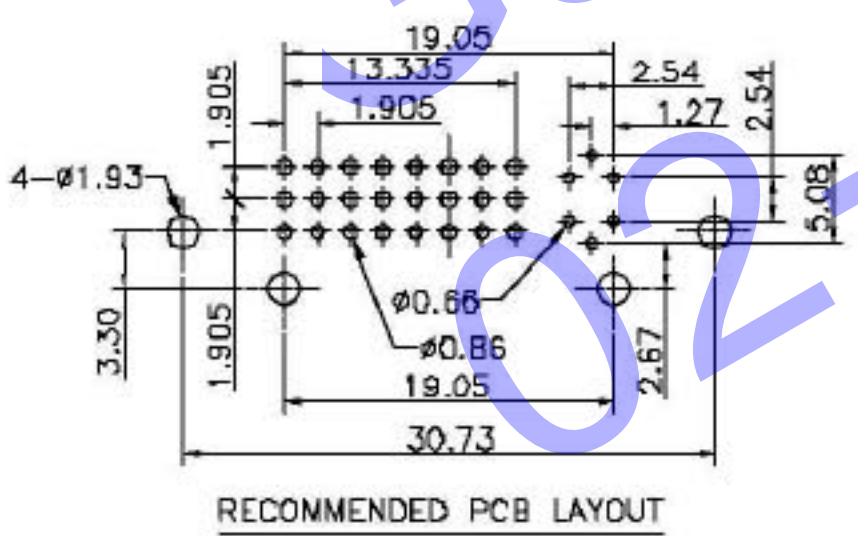
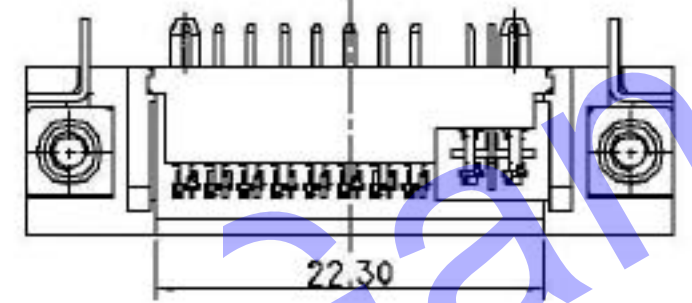
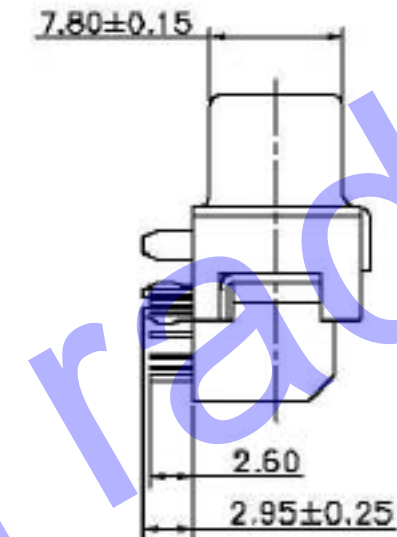
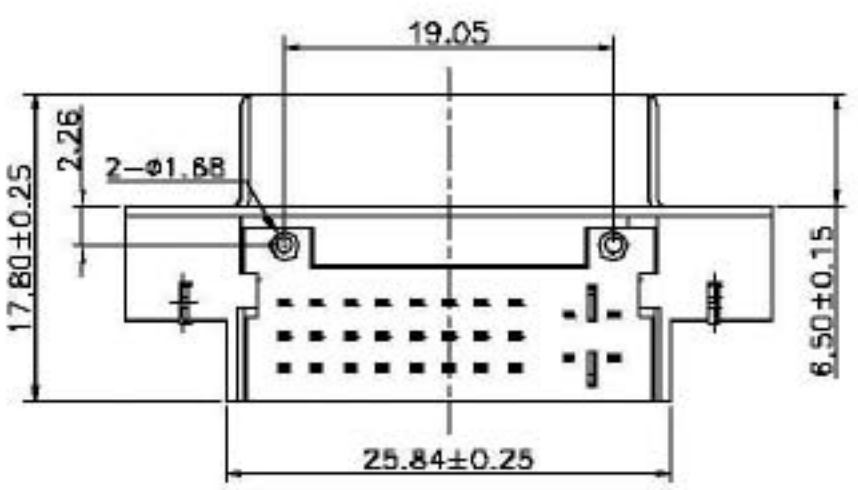
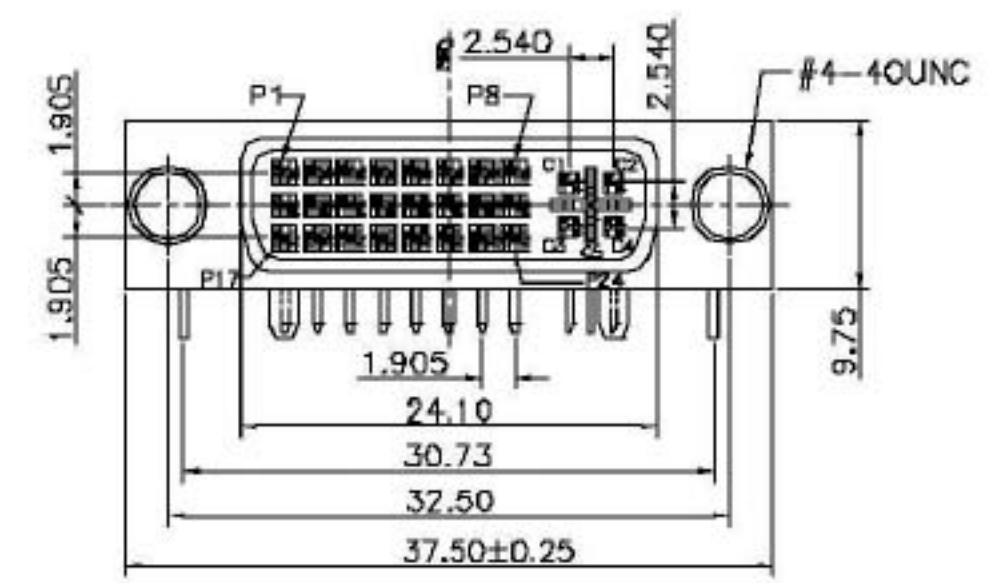


| | | | |
|-----|---------|-------|----------|
| REV | ECN NO: | B Y | DATE |
| A0 | NEW DWG | HUANG | 07/02/06 |



NOTE
MATERIAL
BODY&LATCH: NY66 RATED.
NUMERAL CONTACTS: BRASS
SIMULATION CONTACTS: PHOSPHOR BRONZE
GROUND CONTACT: BRASS
SHELL: SPCC
LEG: BRASS
RMET: BRASS
CONTACT PLATING: GOLD PLATING OVER NICKEL
ELECTRICAL SPECIFICATION
CURRENT RATING: 1.5A;
VOLTAGE RATING: 40V;
CONTACT RESISTANCE: 30mΩ MAX.
INSULATION RESISTANCE: 1000MΩ MIN 500V DC.
DIELECTRIC WITHSTANDING VOLTAGE: 500V AC
ENVIRONMENTAL
OPERATING TEMPERATURE: -20°C~80°C.

| WT-4292XA-1 NUT SPC | WT-4292XA-1 NUT SPC | NO. | NUT SPC |
|---------------------|---------------------|-------|-------------------|
| LOCK NUT | ADD NUT | 1 | 4.75*11.80 L=4.80 |
| | | 2 | 4.75*11.80 L=5.80 |
| | | 3 | 4.75*13.00 L=4.80 |
| | | 4 | 4.75*13.00 L=5.80 |
| | | | |

| | | | |
|--|--|--|--|
| -TOLERANCES- UNLESS OTHERWISE SPECIFIED XX ±0.30 XX' ±3" XXX ±0.20 XXX' ±1" XXX ±0.10 XXXX' ±0.5" | | HDC 有限公司 DVI 24+5 DIP 90° FEMALE PRODUCT NO: GDVI-B 24+5 | |
| | | | |